

SUSTAINABILITY DECLARATION

OBERON



QUALITY AND ENVIRONMENTAL LABELLING



FSC: Products in veneer as well as white, grey oak, grey white, amouk and birch laminate are labelled. Fulfills the requirements of the Nordic Ecolabel

MATERIAL CONTENT

Wood	18 kg	45 %
Steel	13,7 kg	34 %
Aluminium	6,4 kg	16 %
Plastic	2,0 kg	5 %
Copper	0,1 kg	0 %
Total	40,1 kg	100 %

Disclaimer: Material content is based on Oberon 168 SS.

RECYCLED MATERIAL

Post-consumer recycled content	0 kg	0 %
Pre-consumer recycled content	8,7 kg	22 %
Total recycled content	8,7 kg	22 %

Disclaimer: The recycled content is based on Oberon 168 SS. Numbers may vary based on model and options selected.

RECYCLABILITY:

Material recycling	50 %
Energy recovery	50 %

TOTAL CO2:

90 KG

FULFILLED TECHNICAL STANDARDS

- EN 527-1 Dimensions
- EN 527-2 Mechanical safety requirements
- EN 527-3 Methods of test for the determination of the stability and the mechanical strength of the structure
- ISO 21016 part of for sit/stand table, Test methods for the determination of strength, durability and stability

FULFILLED FIRE REQUIREMENTS

- Euroclass D (generally for wooden materials)

VOC EMISSION TEST

The product is tested and compliant with:

- Indoor Air Comfort GOLD
- French VOC regulation (DEVL1101903D and DEVL1104875A)
- French CMR components (DEVL1101903D and DEVL1104875A)
- AgBB
- Belgian Regulation (C-214/24239)
- EN 717-1
- Blue Angel (RAUL UZ 117)
- M1
- ANSI/BIFMA x7.1-2011

CHEMICAL DATA

The product does not contain:

Substances on Reach candidate list

Substances on Living Building Challenge Red List

Asbestos

Heavy metals

Phthalates

Brominated or halogenated flame retardants

PVC

Hexavalent chromium

COMPANY CERTIFICATIONS

- ISO 14001
- ISO 9001
- FSC® Chain of Custody
- PEFC Chain of Custody

PACKAGING AND TRANSPORT

The product is shipped with blankets and cardboard sheets as packaging material that is returned to the factories after delivery and reused. This method enables more products to be transported in each truck. Kinnarps' trucks have a load efficiency of over 90% and are mostly run on biodiesel with a content of up to 50% renewable tall oil.

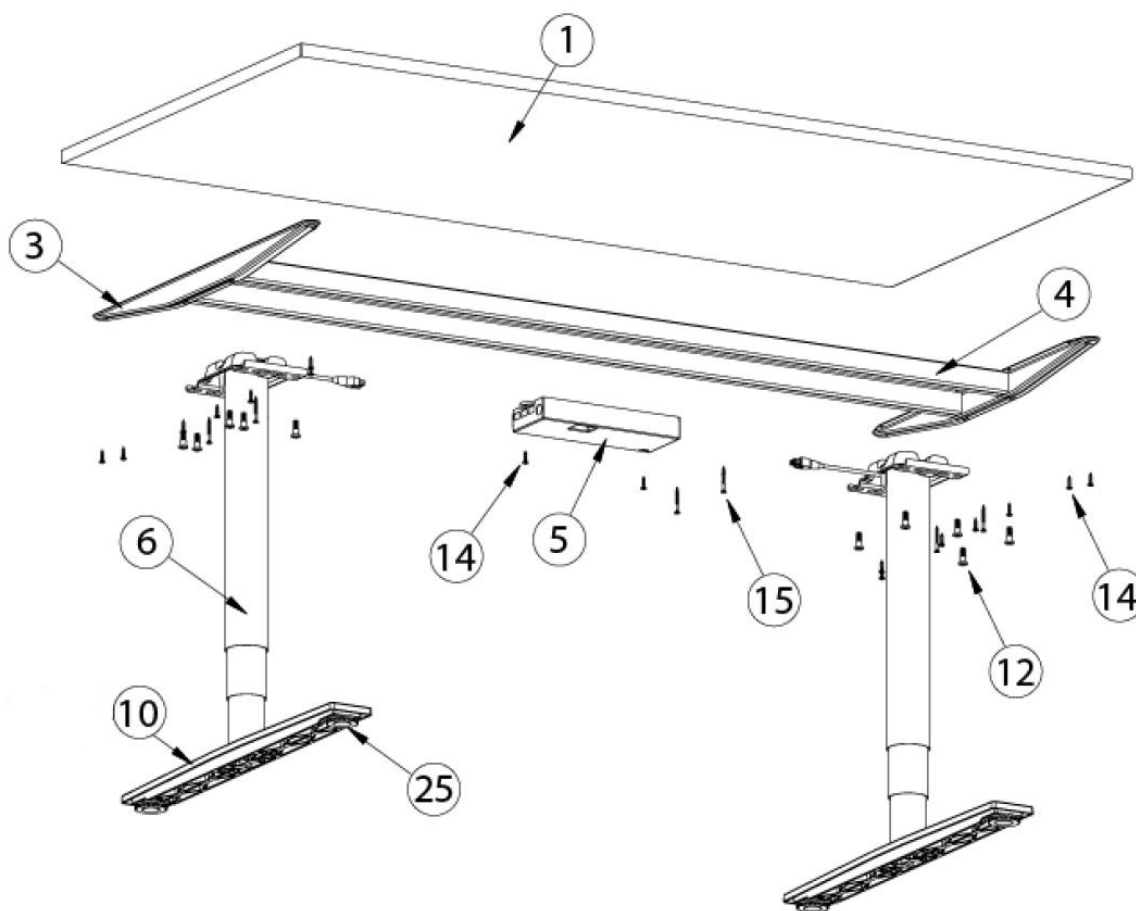
MATERIALS

- **Fabrics:** All of Kinnarps' standard fabrics are free from flame retardants and azo dyes. Kinnarps can also offer multiple fabrics labelled with or fulfilling the requirements of EU Ecolabel and/or Oeko-Tex.
- **Wood:** We use FSC® and PEFC certified wood material in the production of our products. The origin and legality of all wood material is controlled and assessed in accordance with Kinnarps Timber Trading Policy. All of our boards fulfil E1 requirements and many have half the E1 values or lower.
- **Metal finishing:** Kinnarps use powder coating for surface treatment of metal which gives very low emissions of volatile organic compounds (VOC). For chrome executions, only trivalent chrome is used.
- **Wood finishing:** Kinnarps treats the surface of veneered tables and storage with water based UV-lacquer which ensures very low application quantities of volatile organic compounds (VOC).
- **Plastic:** Plastic components that are used in products produced by Kinnarps are free from PVC and flame retardants, with the exception of some plastic parts of electrical components. The plastic is also free from PFOS, Bisfenol A and phthalates. Plastic components over 50 g are labelled according to ISO 11469.
- **Padding:** The padding in our task chairs is manufactured in Kinnarps' factory in Skillingaryd, Sweden, which enables us to have control over the whole process and ensure a safe production. The padding used in other products is certified with Oeko-Tex. All padding used in Kinnarps' products are free from flame-retardants and azo dyes.
- **Electronics:** Electronic components are CE-labelled and complies with the EU RoHS directive. This prohibits the use of lead, mercury, cadmium and hexavalent chrome, as well as the flame-retardants PDD and PBDE, in electronic products. Conflict minerals are not allowed in the components.
- **Separability:** Separability is taken into consideration in the product development process in order to facilitate the recycling of material when the products no longer can be used. Different types of material is not casted together in a way that makes it hard to recycle. Products are designed with replaceable parts that are easy to change.

CARE AND MAINTENANCE RECOMMENDATIONS

<http://www.kinnarps.com/en/International/ProductsInspiration/Addmorecolour/#Care-maintenance>

RECYCLING



Wood	1
Steel	3, 4, 6, 12, 14, 15, 25
Aluminium	10
Electronics	5
Plastic PA	5
Plastic Melamine	1
Plastic ABS	1
Plastic POM	6
Plastic PAGF30	6, 25

LEED CONTRIBUTION

The product can contribute to the earning of points within the following credits.

LEED 2009

Interior Design & Construction

MR 4 Recycled Content	Post consumer 0 %, Pre consumer 22 %
MR 5 Regional materials	Manufactured in Kinnarp, Sweden
MR 7 Certified wood	The product is FSC labelled as standard with the exception of some executions.
IEQ 4.5 Low-emitting materials	The product is tested and compliant with ANSI/BIFMA X7.1

Building Design and Construction

MR 4 Recycled Content	Post consumer 0 %, Pre consumer 22 %
MR 5 Regional materials	Manufactured in Kinnarp, Sweden
MR 7 Certified wood	The product is FSC labelled as standard with the exception of some executions.

Building Design and Maintenance

MR 2.2 Sustainable purchasing – durable goods: furniture	Recycled content: Post consumer 0 %, Pre consumer 22 % The product is FSC labelled as standard with the exception of some executions.
--	--

LEED V 4

Interior Design & Construction

MR Credit: Interiors life-cycle impact reduction	Kinnarps offers services for recycling, refreshing or reusing products. Share of recyclable material in the product: 50 %
MR Credit: Building product disclosure and optimization – sourcing of raw materials	The product is FSC labelled as standard with the exception of some executions. Recycled content: Post consumer 0 %, Pre consumer 22 % Manufactured in Kinnarp, Sweden
EQ Credit: Low-emitting materials	The product is tested and compliant with ANSI/BIFMA X7.1 and Indoor Air Comfort GOLD

Building Design and Construction

MR Credit: Building product disclosure and optimization – sourcing of raw materials	Recycled content: Post consumer 0 %, Pre consumer 22 % Manufactured in Kinnarp, Sweden
MR Credit: Furniture and medical furnishings (healthcare)	The product contains no or less than 100ppm hexavalent chromium, heavy metals, PFCs or PFOA, or added anti-microbial treatments. The product is FSC labelled as standard with the exception of some executions. Recycled content: Post consumer 0 %, Pre consumer 22 %
EQ Credit: Low-emitting materials	The product is tested and compliant with ANSI/BIFMA X7.1 and Indoor Air Comfort GOLD

Building Operations and Maintenance

MR Credit: purchasing—facility maintenance and renovation	The product is FSC labelled as standard with the exception of some executions. The product does not contain any substances on REACH Authorization or Candidate list. The product is tested and compliant with ANSI/BIFMA X7.1 and Indoor Air Comfort GOLD
---	---