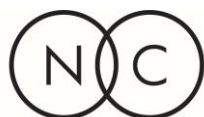


SUSTAINABILITY DECLARATION

KOMPIS 035



INCLUSIVE DESIGN

QUALITY AND ENVIRONMENTAL LABELLING



MATERIAL CONTENT

| | | |
|--------------|----------------|--------------|
| Wood | 2,26 kg | 89,0 % |
| Steel | 0,17 kg | 6,7 % |
| Fabric | 0,08 kg | 3,1 % |
| Leather | 0,02 kg | 0,8 % |
| Plastic | 0,01 kg | 0,5 % |
| Total | 2,54 kg | 100 % |

RECYCLED MATERIAL

| | | |
|--------------------------------|--------|-------|
| Post-consumer recycled content | 0,1 kg | 3,7 % |
| Pre-consumer recycled content | 0 kg | 0 % |
| Total recycled content | 0,1 kg | 3,7 % |

RECYCLABILITY:

| | | |
|--------------------|---------|--------|
| Material recycling | 0,26 kg | 10,4 % |
| Energy recovery | 2,28 kg | 89,6 % |

TOTAL CO2:

1,57 KG

ENERGY VALUE: (in accordance with NF Environnement)

34,4 MJ

FULFILLED TECHNICAL STANDARDS

- EN 16139 Strength, durability and safety, for personnel weight of 110 kg.
- EN 1728 Test methods for the determination of the strength and durability
- EN 1022 Determination of stability
- EN 12720 Assessment of surface resistance to cold liquids
- SIS 83 91 17 Assessment of surfaces resistance to scratches
- EN ISO 105-E04 Colour fastness to perspiration

FULFILLED FIRE REQUIREMENTS

- EN 1021-1 Assessment of the ignitability of upholstered furniture – part 1: Ignition source smouldering cigarette
- EN 1021-2 Assessment of the ignitability of upholstered furniture – part 2: Ignition source match flame equivalent
- Euroclass D

CHEMICAL DATA

Following have not been added to the product:

Substances on Reach candidate list

Asbestos

Heavy metals

Brominated or halogenated flame retardants

PVC

Hexavalent chromium

COMPANY CERTIFICATIONS

- ISO 14001
- ISO 9001
- OHSAS 18001
- FSC® Chain of Custody

PACKAGING AND TRANSPORT

Packaged in recyclable packaging. NC is connected to FTI, the Swedish nationwide recycling system for packaging. Shipped with external carriers.

MATERIALS

Wood is certified with FSC 100 %.

Fabric is made of 74 % recycled post-consumer polyester and Trevira CS, certified with Oeko-Tex and Cradle to Cradle Bronze.

Leather is vegetable tanned.

No conflict minerals.

CARE AND MAINTENANCE RECOMMENDATIONS

Please visit our webpage.

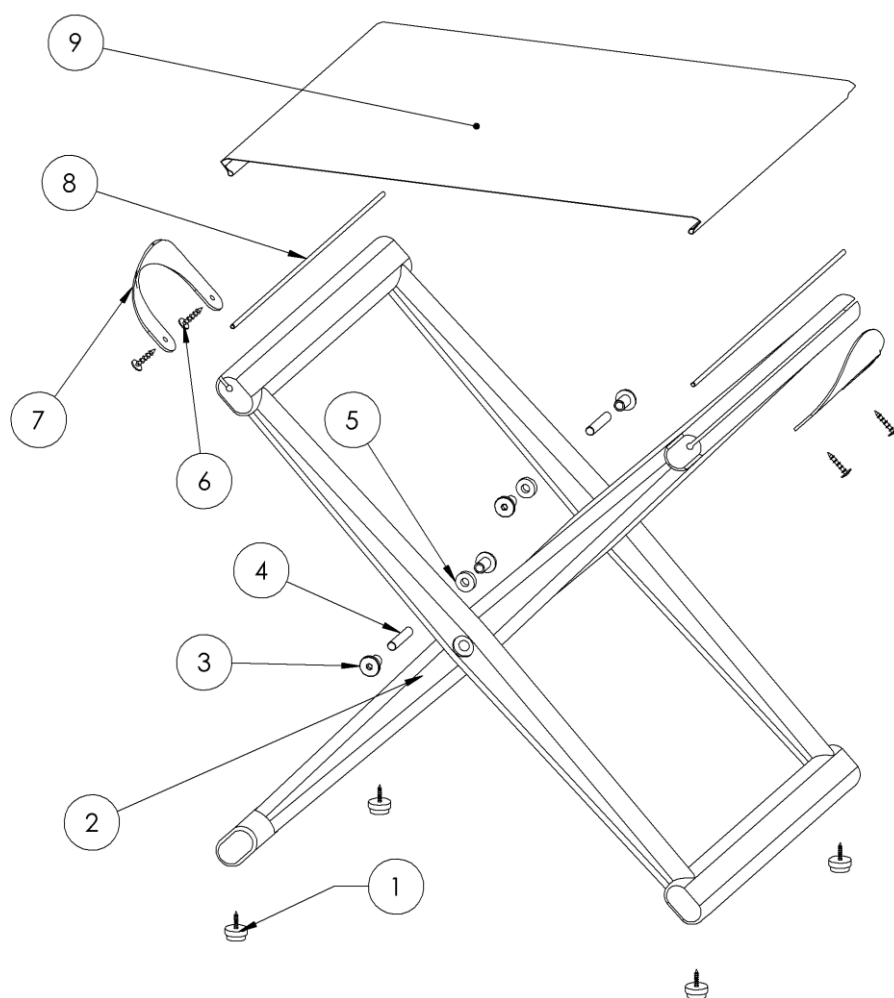
<http://www.ncnordiccare.se/care-instructions/?lang=en>

REUSE

Removable and washable fabric.

Fabric and leather can easily be replaced.

RECYCLING



| | |
|---------|------------------|
| Wood | 2 |
| Steel | 1, 3, 4, 5, 6, 8 |
| Fabric | 9 |
| Leather | 7 |
| Plastic | 1 |

LEED CONTRIBUTION

The product can contribute to the earning of points within the following credits.

LEED 2009

Interior Design & Construction

| | |
|-----------------------|---|
| MR 4 Recycled Content | Post consumer 3,7 %, Pre consumer 0 %. |
| MR 7 Certified wood | The product is labelled with FSC 100 %. |

Building Design and Construction

| | |
|-----------------------|---|
| MR 4 Recycled Content | Post consumer 3,7 %, Pre consumer 0 %. |
| MR 7 Certified wood | The product is labelled with FSC 100 %. |

Building Design and Maintenance

| | |
|--|---|
| MR 2.2 Sustainable purchasing – durable goods: furniture | Recycled content: Post consumer 3,7 %, Pre consumer 0 %. The product is labelled with FSC 100 %. |
|--|---|

LEED V 4

Interior Design & Construction

| | |
|---|---|
| MR Credit: Interiors life-cycle impact reduction | Services offered for recycling, refreshing or reusing products. Share of recyclable material in the product: 10,2 %. |
| MR Credit: Building product disclosure and optimization – sourcing of raw materials | The product is labelled with FSC 100 %. Recycled content: Post consumer 3,7 %, Pre consumer 0 %. |

Building Design and Construction

| | |
|---|--|
| MR Credit: Building product disclosure and optimization – sourcing of raw materials | Recycled content: Post consumer 3,7 %, Pre consumer 0 %. |
|---|--|

MR Credit: Furniture and medical furnishings (healthcare)

The product contains no or less than 100ppm hexavalent chromium, heavy metals, PFCs or PFOA, or added anti-microbial treatments.

The product is labelled with FSC 100 %.

Recycled content: Post consumer 3,7 %, Pre consumer 0 %.

Building Operations and Maintenance

MR Credit: purchasing—facility maintenance and renovation

The product is labelled with FSC 100 %.

The product does not contain any substances on REACH Authorization or Candidate list.

Verified date: 2017-12-06